

# OEM Shades Inc.

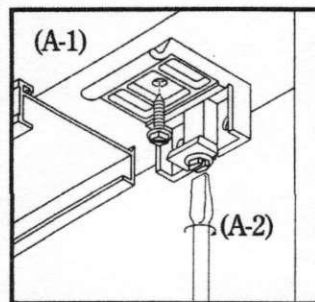
## Installation

### Standard Hardware

For proper shade support, brackets should be mounted no more than 48" apart. Brackets holding the ends of the headrail should be no more than 3" from the end of the headrail. Use wood screws or other appropriate fasteners, depending upon the surface material. Position the shade at the window to determine the location of the supports. Follow installation procedures specific to the shade support system enclosed with your shade and the type of mounting required.

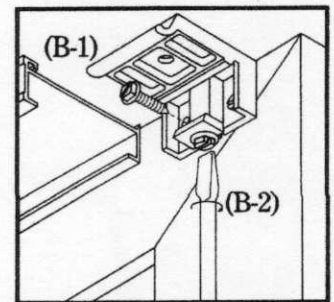
### Inside or Ceiling Mount

Place hex screws through top of bracket and secure to casing or ceiling (A-1). Attach shade to brackets by placing front lip of headrail into front of bracket. Gently push back of rail into bracket until it locks into place. Turn screw clockwise on bracket to lock in headrail (A-2).



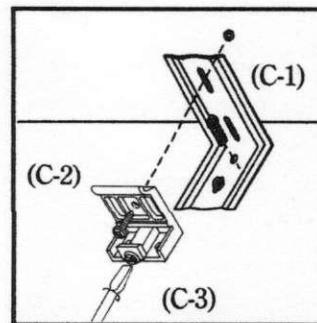
### Outside or Wall Mount

Place hex screws through backs of bracket and secure to wall (B-1). Attach shade to brackets by placing front lip of headrail into front of bracket. Gently push back of rail into bracket until it locks into place. Turn screw clockwise on bracket to lock in headrail (B-2).



### Wall Mount Using Projection Brackets

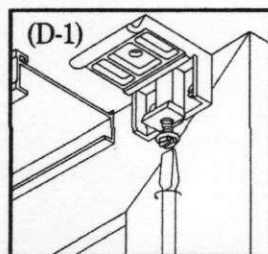
Attach angular support to wall (C-1). Attach brackets to angular support with screw and nut provided (C-2). Attach shade to brackets by placing front lip of headrail into front of bracket. Gently push back of rail into bracket until it locks into place. Turn screw clockwise on bracket to lock in headrail (C-3).



## Shade Removal

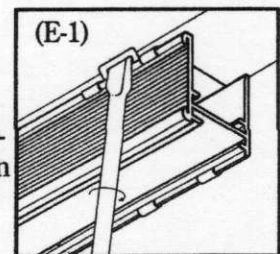
### Standard Hardware

Using a screwdriver, turn the cam screw on each mounting bracket counter clockwise. Gently remove the shade from the mounting bracket (D-1).



### Clutch System

Insert a screwdriver into bracket slot and while gently twisting the screwdriver, push lower portion of rail down until bracket releases (E-1).

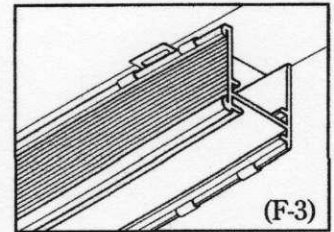
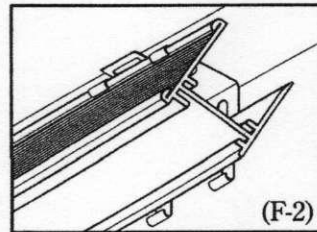
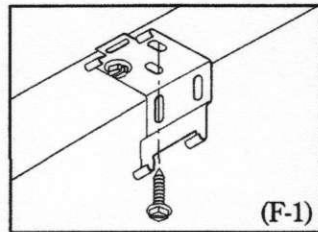


## Clutch System

Please note that the Clutch mechanism should not be operated prior to the shade's installation. Before proceeding with installation, please note that for proper shade support, clips and brackets should not be mounted more than 48" apart. Outer supports should be approximately two inches from the end of the headrail. Please use wood screws or appropriate fasteners for other surfaces. Position the shade at the window to determine the location of supports. Then, follow the installation procedure specific to the shade support system enclosed with your shade and the type of mounting required.

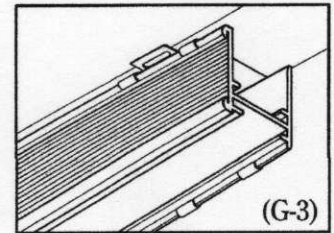
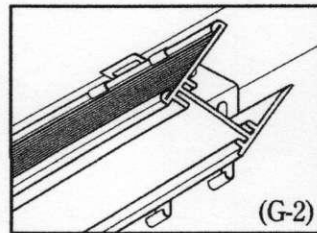
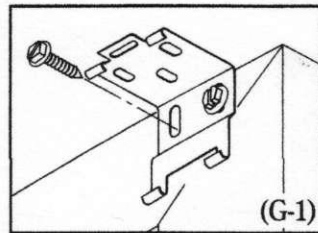
### Inside or Ceiling Mount

Place screws through top of bracket and secure to casing or ceiling (F-1). Attach shade to brackets by placing front edge of headrail into the front bracket lip (F-2). Push back of headrail up into the back of the bracket lip until headrail snaps securely into place (F-3).



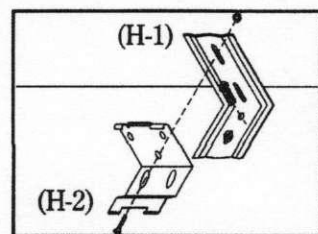
### Outside or Wall Mount

Place screws through back of bracket and secure to wall or frame (G-1). Attach shade to bracket by placing front edge of headrail into front bracket lip (G-2). Push back of headrail up into the back of the bracket lip until headrail snaps securely into place (G-3).

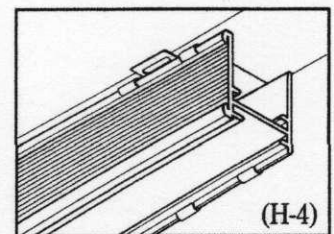
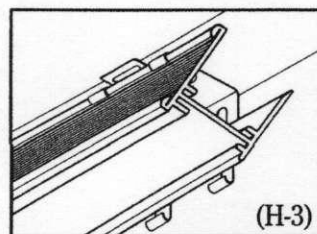
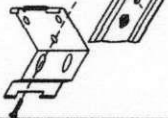


### Projection Mount

Attach angular supports to wall or frame. One support is needed for each bracket (H-1). Attach the bracket, placing screws through the top of the bracket and through the angular support (H-2). Attach shade to bracket by placing front edge of headrail into front bracket lip (H-3). Push back of headrail up into the back of the bracket until headrail snaps securely into place (H-4).



(H-2)



**Note: Installer - Please leave installation instructions with homeowner.**